



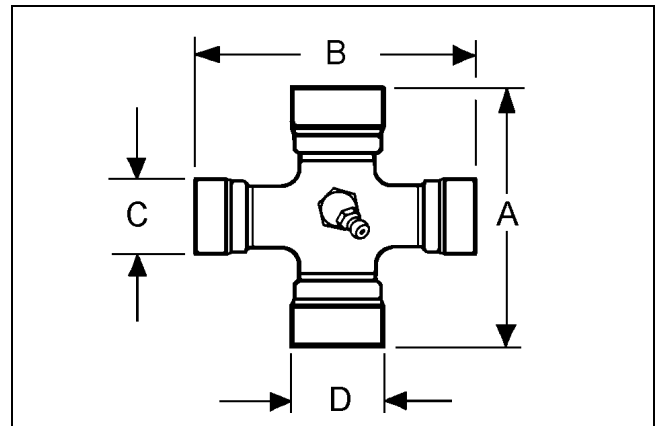
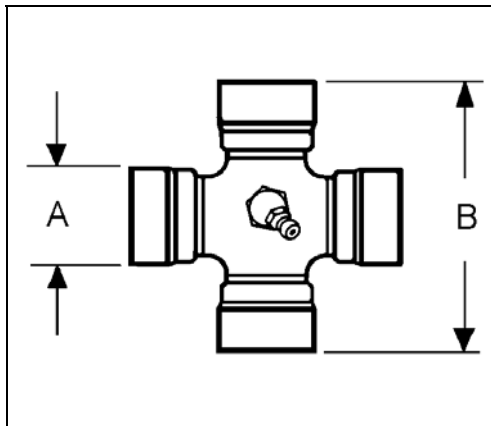
MARCAS REGISTRADAS - REGISTERED TRADEMARKS

**CATÁLOGO AG.06**  
**SERIE AGRÍCOLA**  
**CATALOGUE AG.06**  
**AGRICULTURAL SERIES**

INDICE CONTENTS		Páginas Pages
Cruces de cardan	Universal joints	2
Transmisiones tipo "TL"	P.T.O. Drive Shafts Type 'TL'	3
Transmisiones tipo "PT"	P.T.O. Drive Shafts Type 'PT'	4
Transmisiones tipo "TS"	P.T.O. Drive Shafts Type 'TS'	5
Nudos para transmisiones	Joints for PTO Drive Shafts	6 – 8
Nudos Homocinéticos 80°	Wide-angle Joints 80°	9
Transmisiones y nudos otras aplicaciones	Propshafts and joints other applications	10
Horquillas	Yokes	11 – 15
Ruedas libres y limitadores de par	Free wheels and torque limiters	16 – 17
Componentes de Nudos homocinéticos	Components for Wide-angle joints	18
Tubos perfil "limón", "triangular" y "estrella"	Tubes "lemon", "triangular" and "star"	19
Accesorios	Accesories	20 – 21
Datos técnicos	Technical data	22 – 23



Cruces de Cardan para Transmisiones Agrícolas  
Universal Joints for P.T.O. Drive Shafts



Serie Series	Referencia Part Number	A	B
-	2222-CR	18,0	47,0
<b>2122</b>	2122-CR	19,0	51,9
<b>2124</b>	2124-CR	22,0	54,8
<b>2224</b>	2224-CR	22,0	54,0
<b>2126</b>	2126-CR	23,8	61,2
-	2126.1-CR	25,0	56,9
<b>2328</b>	2328-CR	27,0	70,0
<b>2128</b>	2128-CR	27,0	74,6
<b>2228</b>	2228-CR	32,0	76,0
<b>2130</b>	2130-CR	30,2	80,0
<b>2230</b>	2230-CR	30,2	92,0
<b>2132</b>	2132-CR	30,2	106,5
<b>2330*</b>	2330-CR	34,0	90,0
<b>2332</b>	2332-CR	34,9	94,0
<b>2232</b>	2232-CR	34,9	106,3
<b>2234</b>	2234-CR	36,0	89,0
-	2134-CR	39,7	115,9
<b>2136</b>	2136-CR	41,0	108,0
<b>2236</b>	2236-CR	42,0	104,0

Referencia Part Number	A	B	C	D
---------------------------	---	---	---	---

2126NH-CR	61,2	77,0	22,0	23,8
-----------	------	------	------	------

2128NH-CR	74,6	91,0	23,8	27,0
2230NH-CR	76,0	94,0	27,0	32,0

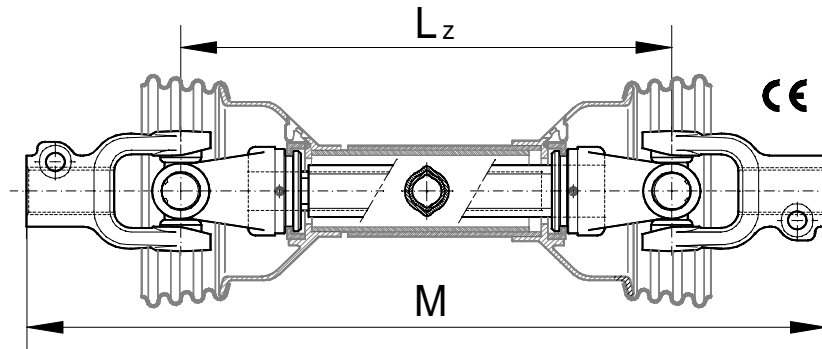
2232NH-CR	88,8	106,0	32,0	36,0
-----------	------	-------	------	------

\* Grupillas interiores / Inner circlips.



# TRANSMISIONES TIPO "TL" P.T.O. DRIVE SHAFTS TYPE "TL"

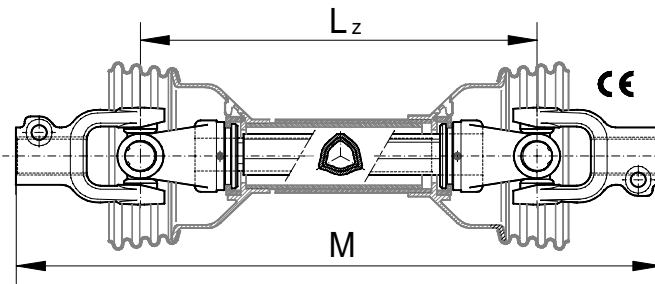
Con tubos perfil "limón" – With "lemon" profile tubes



Serie Series	Lz	M	Extremos Ends	Referencia Part Number
<b>2124</b> Cruz -U/Joint 22,0x54,8	460	640	1 3/8" Z-6	21240-21240.TL.0460 CEP
	510	690		21240-21240.TL.0510 CEP
	610	790		21240-21240.TL.0610 CEP
	710	890		21240-21240.TL.0710 CEP
	860	1040		21240-21240.TL.0860 CEP
<b>2126</b> Cruz -U/Joint 23,8x61,2	460	655	1 3/8" Z-6	21260-21260.TL.0460 CEP
	510	705		21260-21260.TL.0510 CEP
	610	805		21260-21260.TL.0610 CEP
	710	905		21260-21260.TL.0710 CEP
	860	1055		21260-21260.TL.0860 CEP
<b>2128</b> Cruz -U/Joint 27,0x74,6	510	730	1 3/8" Z-6	21280-21280.TL.0510 CEP
	610	830		21280-21280.TL.0610 CEP
	710	930		21280-21280.TL.0710 CEP
	860	1080		21280-21280.TL.0860 CEP
	1010	1230		21280-21280.TL.1010 CEP
<b>2228</b> Cruz -U/Joint 32,0x76,0	510	735	1 3/8" Z-6	22280-22280.TL.0510 CEP
	610	835		22280-22280.TL.0610 CEP
	710	935		22280-22280.TL.0710 CEP
	860	1085		22280-22280.TL.0860 CEP
<b>2230</b> Cruz -U/Joint 30,2x92,0	510	745	1 3/8" Z-6	22300-22300.TL.0510 CEP
	610	845		22300-22300.TL.0610 CEP
	710	945		22300-22300.TL.0710 CEP
	860	1095		22300-22300.TL.0860 CEP
	1010	1245		22300-22300.TL.1010 CEP
<b>2234</b> Cruz -U/Joint 36,0x89,0	510	750	1 3/8" Z-6	22340-22340.TL.0510 CEP
	610	850		22340-22340.TL.0610 CEP
	710	950		22340-22340.TL.0710 CEP
	860	1100		22340-22340.TL.0860 CEP
	1010	1250		22340-22340.TL.1010 CEP



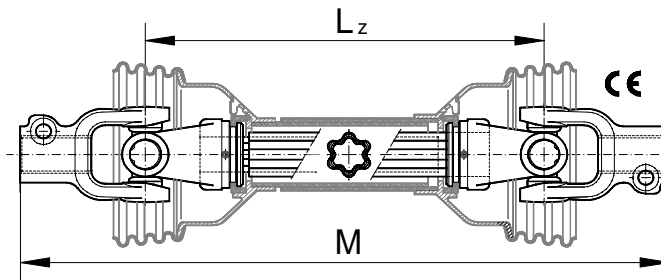
**TRANSMISIONES TIPO "PT"**  
**P.T.O. DRIVE SHAFTS TYPE "PT"**  
 Con tubos perfil "triangular" – With "triangular" profile tubes



Serie Series	Lz	M	Extremos Ends	Referencia Part Number
<b>2224</b> Cruz –U/Joint 22,0x54,0	510	690	1 3/8" Z-6	22240-22240.PT.0510CEP
	610	790		22240-22240.PT.0610CEP
	710	890		22240-22240.PT.0710CEP
	860	1040		22240-22240.PT.0860CEP
<b>2126</b> Cruz –U/Joint 23,8x61,2	510	705	1 3/8" Z-6	21260-21260.PT.0510CEP
	610	805		21260-21260.PT.0610CEP
	710	905		21260-21260.PT.0710CEP
	860	1055		21260-21260.PT.0860CEP
<b>2328</b> Cruz –U/Joint 27,0x70,0	510	715	1 3/8" Z-6	23280-23280.PT.0510CEP
	610	815		23280-23280.PT.0610CEP
	710	915		23280-23280.PT.0710CEP
	860	1065		23280-23280.PT.0860CEP
<b>2128</b> Cruz –U/Joint 27,0x74,6	510	730	1 3/8" Z-6	21280-21280.PT.0510CEP
	610	830		21280-21280.PT.0610CEP
	710	930		21280-21280.PT.0710CEP
	860	1080		21280-21280.PT.0860CEP
<b>2130</b> Cruz-U/Joint 30,2x80,0	510	735	1 3/8" Z-6	21300-21300.PT.0510CEP
	610	835		21300-21300.PT.0610CEP
	710	935		21300-21300.PT.0710CEP
	860	1085		21300-21300.PT.0860CEP
<b>2230</b> Cruz –U/Joint 30,2x92,0	510	745	1 3/8" Z-6	22300-22300.PT.0510CEP
	610	845		22300-22300.PT.0610CEP
	710	945		22300-22300.PT.0710CEP
	860	1095		22300-22300.PT.0860CEP
<b>2132</b> Cruz-U/Joint 30,2x106,5	510	765	1 3/8" Z-6	21320-21320.PT.0510CEP
	610	865		21320-21320.PT.0610CEP
	710	965		21320-21320.PT.0710CEP
	860	1115		21320-21320.PT.0860CEP
<b>2332</b> Cruz –U/Joint 34,9x94,0	510	750	1 3/8" Z-6	23320-23320.PT.0510CEP
	610	850		23320-23320.PT.0610CEP
	710	950		23320-23320.PT.0710CEP
	860	1100		23320-23320.PT.0860CEP
<b>2232</b> Cruz –U/Joint 34,9x106,3	510	760	1 3/8" Z-6	22320-22320.PT.0510CEP
	610	860		22320-22320.PT.0610CEP
	710	960		22320-22320.PT.0710CEP
	860	1110		22320-22320.PT.0860CEP
<b>2136</b> Cruz –U/Joint 41,0x108,0	510	765	1 3/8" Z-6	21360-21360.PT.0510CEP
	610	865		21360-21360.PT.0610CEP
	710	965		21360-21360.PT.0710CEP
	860	1115		21360-21360.PT.0860CEP



**TRANSMISIONES TIPO "TS"**  
**P.T.O. DRIVE SHAFTS TYPE "TS"**  
 Con tubos perfil "estrella" – With "star" profile tubes



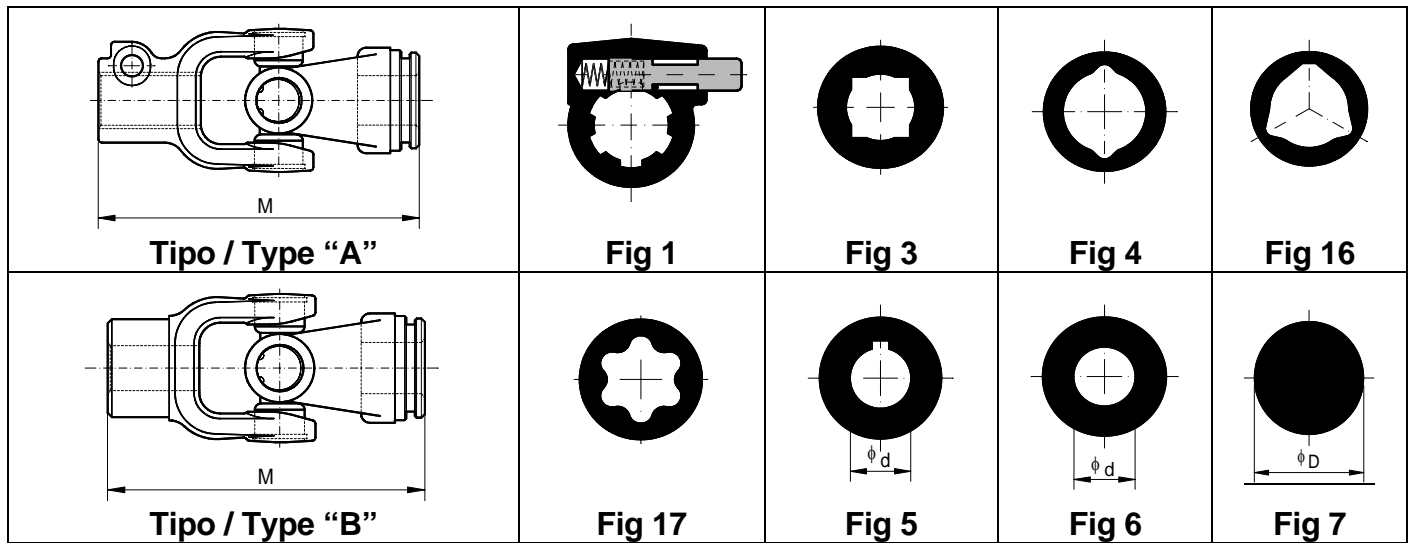
Serie Series	Lz	M	Extremos Ends	Referencia Part Number
<b>2228</b> Cruz –U/Joint 32,0x76,0	510	735	1 3/8" Z-6	22280-22280.TS.0510 CEP
	610	835		22280-22280.TS.0610 CEP
	710	935		22280-22280.TS.0710 CEP
	860	1085		22280-22280.TS.0860 CEP
<b>2230</b> Cruz –U/Joint 30,2x92,0	510	745	1 3/8" Z-6	22300-22300.TS.0510 CEP
	610	845		22300-22300.TS.0610 CEP
	710	945		22300-22300.TS.0710 CEP
	860	1095		22300-22300.TS.0860 CEP
<b>2132</b> Cruz-U/Joint 30,2x106,5	510	765	1 3/8" Z-6	21320-21320.TS.0510 CEP
	610	865		21320-21320.TS.0610 CEP
	710	965		21320-21320.TS.0710 CEP
	860	1115		21320-21320.TS.0860 CEP
<b>2330</b> Cruz –U/Joint 34,0x90,0	510	740	1 3/8" Z-6	23300-23300.TS.0510 CEP
	610	840		23300-23300.TS.0610 CEP
	710	940		23300-23300.TS.0710 CEP
	860	1030		23300-23300.TS.0860 CEP
<b>2232</b> Cruz –U/Joint 34,9x106,3	510	760	1 3/8" Z-6	22320-22320.TS.0510 CEP
	610	860		22320-22320.TS.0610 CEP
	710	960		22320-22320.TS.0710 CEP
	860	1110		22320-22320.TS.0860 CEP
<b>2234</b> Cruz –U/Joint 36,0x89,0	510	750	1 3/8" Z-6	22340-22340.TS.0510 CEP
	610	850		22340-22340.TS.0610 CEP
	710	950		22340-22340.TS.0710 CEP
	860	1100		22340-22340.TS.0860 CEP
<b>2136</b> Cruz –U/Joint 41,0x108,0	510	765	1 3/8" Z-6	21360-21360.TS.0510 CEP
	610	865		21360-21360.TS.0610 CEP
	710	965		21360-21360.TS.0710 CEP
	860	1115		21360-21360.TS.0860 CEP
<b>2236</b> Cruz –U/Joint 42,0x104,0	510	770	1 3/8" Z-6	22360-22360.TS.0510 CEP
	610	870		22360-22360.TS.0610 CEP
	710	970		22360-22360.TS.0710 CEP
	860	1120		22360-22360.TS.0860 CEP

**LOCALIZACIÓN DE LAS TRANSMISIONES.**-Las referencias tienen cinco bloques. Los dos primeros identifican los extremos, el tercero indica el sistema de alargamiento (TL=tubos limón, PT=tubos triangulares, TS=tubos estrella), el cuarto muestra la longitud Lz en mm. y el quinto corresponde a la protección.

**LOCATION OF THE P.T.O DRIVE SHAFTS.**- Part Numbers consist of five blocks. The two first ones identify the ends, the third one indicates the slip movement system (TL=lemon profile tubes, PT=triangular profile tubes, TS= star profile tubes), the fourth shows the length Lz in mm, and the fifth is the safety guard.



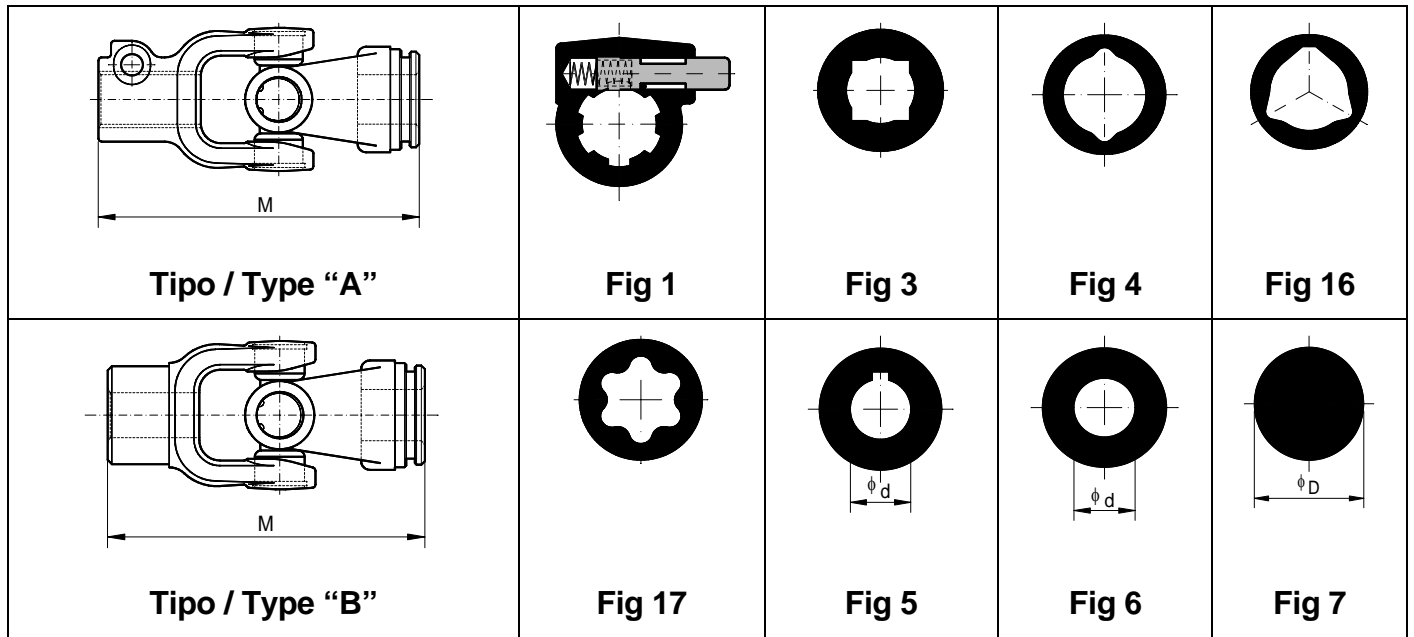
Nudos Agrícolas (I)  
Agricultural Joints



Serie Series	Referencia Part Number	Tipo Type	Extremos - Ends				M
			Fig	Dim.	Fig	Dim.	
<b>2124</b> (22,0x54,8)	2123.5.4.d.02	B	5	d=20,22,25	4	TL-02	147
	2124.1.7.0.46	A	1	1 3/8" Z-6	7	D=46	171
	2124.1.4.0.01	A	1	1 3/8" Z-6	4	TL-01	156
	2124.1.4.0.02	A	1	1 3/8" Z-6	4	TL-02	156
	2124.1.4.1.01	A	1	1 1/8" Z-6	4	TL-01	156
	2124.1.4.1.02	A	1	1 1/8" Z-6	4	TL-02	156
<b>2224</b> (22,0x54,0)	2224.1.16.0.01	A	1	1 3/8" Z-6	16	PT-01	156
	2224.1.16.0.02	A	1	1 3/8" Z-6	16	PT-02	156
	2224.1.16.1.01	A	1	1 1/8" Z-6	16	PT-01	156
	2224.1.16.1.02	A	1	1 1/8" Z-6	16	PT-02	156
<b>2126</b> (23,8X61,2)	2125.5.4.d.04	B	5	d=22,25,30	4	TL-04	156
	2126.1.7.0.46	A	1	1 3/8" Z-6	7	D=46	179
	2126.1.4.0.03	A	1	1 3/8" Z-6	4	TL-03	173
	2126.1.4.0.04	A	1	1 3/8" Z-6	4	TL-04	173
	2126.1.4.1.03	A	1	1 1/8" Z-6	4	TL-03	173
	2126.1.4.2.03	A	1	26 UNI 220	4	TL-03	166
	2126.1.16.0.03	A	1	1 3/8" Z-6	16	PT-03	173
	2126.1.16.0.04	A	1	1 3/8" Z-6	16	PT-04	173
	2126.1.16.1.03	A	1	1 1/8" Z-6	16	PT-03	173
<b>2328</b> (27,0X70,0)	2328.1.16.0.04	A	1	1 3/8" Z-6	16	PT-04	182
	2328.1.16.0.06	A	1	1 3/8" Z-6	16	PT-06	188
<b>2128</b> (27,0X74,6)	2127.5.4.d.04	B	5	d=25,30,35	4	TL-04	188
	2128.1.3.0.03	A	1	1 3/8" Z-6	3	ER-03	211
	2128.1.3.1.03	A	1	1 1/8" Z-6	3	ER-03	211
	2128.1.3.3.03	A	1	1 3/8" Z-21	3	ER-03	211
	2128.1.4.0.03	A	1	1 3/8" Z-6	4	TL-03	194
	2128.1.4.0.04	A	1	1 3/8" Z-6	4	TL-04	194
	2128.1.4.0.05	A	1	1 3/8" Z-6	4	TL-05	194
	2128.1.4.0.06	A	1	1 3/8" Z-6	4	TL-06	199
	2128.1.4.1.03	A	1	1 1/8" Z-6	4	TL-03	194
	2128.1.4.3.03	A	1	1 3/8" Z-21	4	TL-03	194
	2128.1.16.0.05	A	1	1 3/8" Z-6	16	PT-05	194
	2128.1.16.0.06	A	1	1 3/8" Z-6	16	PT-06	194



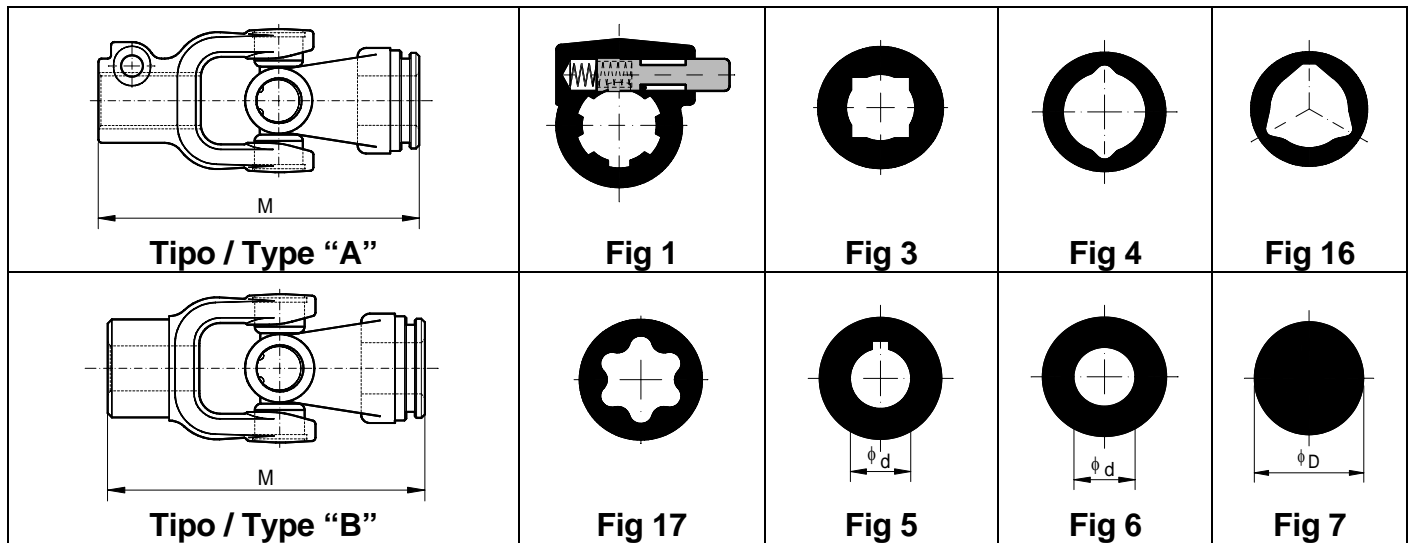
## Nudos Agrícolas (II) Agricultural Joints



Serie Series	Referencia Part Number	Tipo Type	Extremos - Ends				M
			Fig	Dim.	Fig	Dim.	
<b>2228</b> (32,0x76,0)	2228.1.4.0.05	A	1	1 3/8" Z-6	4	TL-05	208
	2228.1.4.0.06	A	1	1 3/8" Z-6	4	TL-06	218
	2228.1.17.0.01	A	1	1 3/8" Z-6	17	TS-01	208
	2228.1.17.0.02	A	1	1 3/8" Z-6	17	TS-02	218
<b>2130</b> (30,2x80,0)	2129.5.16.d.10	B	5	d=30	16	PT-10	194
	2130.1.3.0.03	A	1	1 3/8" Z-6	3	ER-03	209
	2130.1.6.0.30	A	1	1 3/8" Z-6	6	d=30	209
	2130.1.16.0.07	A	1	1 3/8" Z-6	16	PT-07	211
	2130.1.16.0.10	A	1	1 3/8" Z-6	16	PT-10	211
<b>2230</b> (30,2x92,0)	2229.5.4.d.06	B	5	d=30,35	4	TL-06	222
	2230.1.4.0.05	A	1	1 3/8" Z-6	4	TL-05	223
	2230.1.4.0.06	A	1	1 3/8" Z-6	4	TL-06	223
	2229.5.16.d.09	B	5	d=30,35	16	PT-09	222
	2230.1.16.0.07	A	1	1 3/8" Z-6	16	PT-07	223
	2230.1.16.0.09	A	1	1 3/8" Z-6	16	PT-09	223
	2230.1.17.0.01	A	1	1 3/8" Z-6	17	TS-01	223
	2230.1.17.0.02	A	1	1 3/8" Z-6	17	TS-02	223
<b>2132</b> (30,2x106,5)	2131.5.6.d.d	B	5	d=35,40,45	6	d=48	246
	2132.1.3.0.04	A	1	1 3/8" Z-6	3	ER-04	250
	2132.1.6.0.48	A	1	1 3/8" Z-6	6	d=48	250
	2131.5.16.d.09	B	5	d=35,40,45	16	PT-09	231
	2132.1.16.0.08	A	1	1 3/8" Z-6	16	PT-08	235
	2132.1.16.0.09	A	1	1 3/8" Z-6	16	PT-09	235
	2132.1.17.0.01	A	1	1 3/8" Z-6	17	TS-01	235
	2132.1.17.0.02	A	1	1 3/8" Z-6	17	TS-02	235



## Nudos Agrícolas (III) Agricultural Joints



Serie Series	Referencia Part Number	Tipo Type	Extremos - Ends				M
			Fig	Dim.	Fig	Dim.	
<b>2330</b> (34,0x90,0)	2330.1.4.0.05	A	1	1 3/8" Z-6	4	TL-05	204
	2330.1.4.0.06	A	1	1 3/8" Z-6	4	TL-06	218
	2330.1.17.0.01	A	1	1 3/8" Z-6	17	TS-01	204
	2330.1.17.0.02	A	1	1 3/8" Z-6	17	TS-02	218
<b>2332</b> (34,9x94,0)	2332.1.16.0.08	A	1	1 3/8" Z-6	16	PT-08	226
	2332.1.16.0.09	A	1	1 3/8" Z-6	16	PT-09	226
<b>2232</b> (34,9x106,5)	2232.1.16.0.09	A	1	1 3/8" Z-6	16	PT-09	239
	2232.1.16.0.11	A	1	1 3/8" Z-6	16	PT-11	239
	2232.1.17.0.01	A	1	1 3/8" Z-6	17	TS-01	239
	2232.1.17.0.02	A	1	1 3/8" Z-6	17	TS-02	239
<b>2234</b> (36,0x89,0)	2234.1.4.0.05	A	1	1 3/8" Z-6	4	TL-05	227
	2234.1.4.0.06	A	1	1 3/8" Z-6	4	TL-06	233
	2234.1.17.0.01	A	1	1 3/8" Z-6	17	TS-01	227
	2234.1.17.0.02	A	1	1 3/8" Z-6	17	TS-02	230
<b>2136</b> (41,0x108,0)	2136.1.16.0.12	A	1	1 3/8" Z-6	16	PT-12	251
	2136.1.16.0.11	A	1	1 3/8" Z-6	16	PT-11	251
	2136.1.17.0.01	A	1	1 3/8" Z-6	17	TS-01	251
	2126.1.17.0.02	A	1	1 3/8" Z-6	17	TS-02	251
<b>2236</b> (42,0x104,0)	2236.1.17.0.01	A	1	1 3/8" Z-6	17	TS-01	261
	2236.1.17.0.02	A	1	1 3/8" Z-6	17	TS-02	261
	2236.1.17.0.03	A	1	1 3/8" Z-6	17	TS-03	261





Nudos Homocinéticos 80°  
Wide-angle Joints 80°

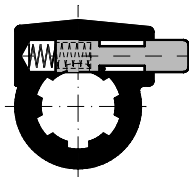
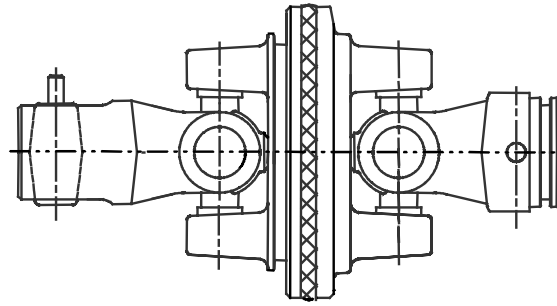


Fig 1

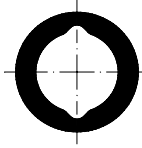


Fig 4



Fig 16

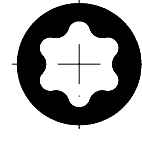
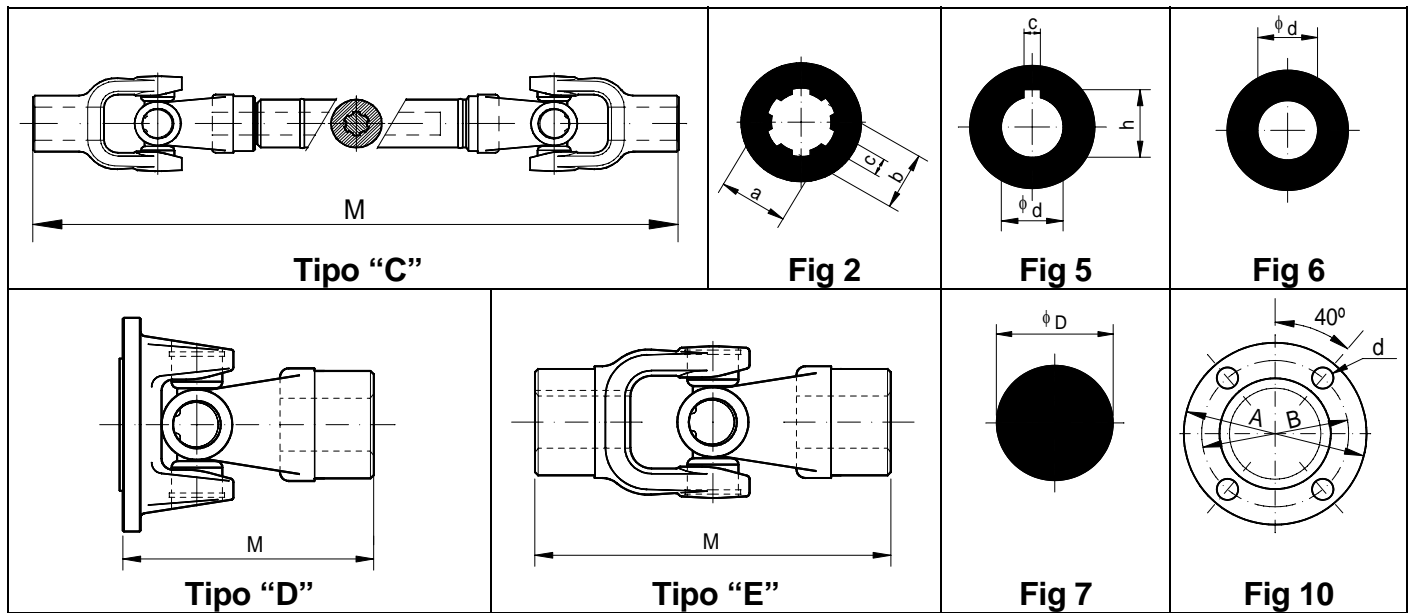


Fig 17

Serie Series	Referencia Part Number	Extremos – Ends			
		Fig	Dim.	Fig	Dim.
<b>2126</b>	2126104003NH	1	1 3/8" Z-6	4	TL-03
	2126104004NH				TL-04
	2126116003NH			16	PT-03
	2126116004NH				PT-04
<b>2128</b>	2128104003NH	1	1 3/8" Z-6	4	TL-03
	2128104004NH				TL-04
	2128104005NH				TL-05
	2128104006NH				TL-06
	2128116005NH			16	PT-05
	2128116006NH				PT-06
<b>2228</b>	2228104005NH	1	1 3/8" Z-6	4	TL-05
<b>2130</b>	2228104006NH				TL-06
<b>2230</b>	2230116007NH			16	PT-07
	2230116009NH				PT-09
	2228117001NH			17	TS-01
	2228117002NH				TS-02
<b>2332</b>	2332116008NH	1	1 3/8" Z-6	16	PT-08
<b>2232</b>	2332116009NH				PT-09
<b>2234</b>	2232116011NH				PT-11
	2234117001NH			17	TS-01
	2234117002NH				TS-02

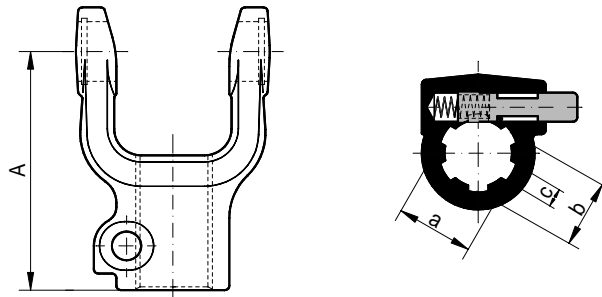


Serie Series	Referencia Part Number	Tipo Type	Extremos – Ends				M
			Fig	Dim.	Fig	Dim.	
2122 (19x51,9)	2121.6.6.d.d	E	6	d=16,18,19	6	d=16,18,19	126
	2121.6.7.d.28	E	6	d=16,18,19	7	D=28	126
	2121.7.7.28.28	E	7	D=28	7	D=28	126
	2122.5.5.d.d	E	5	d=20,22,25	5	d=20,22,25	140
	2122.5.6.d.d	E	5	d=20,22,25	6	d=20,22,25	140
	2122.6.6.d.d	E	6	d=20,22,25	6	d=20,22,25	140
	2122.5.7.d.40	E	5	d=20,22,25	7	D=40	140
	2122-2122.E.500	C	5	d=20,22,25	5	d=20,22,25	500
2124 (22x54,8)	2123.5.5.d.d	E	5	d=20,22,25	5	d=20,22,25	162
	2123.5.6.d.d	E	5	d=20,22,25	6	d=20,22,25	162
	2123.6.6.d.d	E	6	d=20,22,25	6	d=20,22,25	162
	2123.5.7.d.46	E	5	d=20,22,25	7	D=46	162
	2123-2123.E.500	C	5	d=20,22,25	5	d=20,22,25	500
2126 (23,8x61,2)	2125.5.5.d.d	E	5	d=22,25,30	5	d=22,25,30	162
	2125.5.6.d.d	E	5	d=22,25,30	6	d=22,25,30	162
	2125.6.6.d.d	E	6	d=22,25,30	6	d=22,25,30	162
	2125.5.7.d.46	E	5	d=22,25,30	7	D=46	162
	2125.10.6.1100.d	D	10	Serie 1100	6	d=22,25,30	111
	2125-2125.E.500	C	5	d=22,25,30	5	d=22,25,30	500
2128 (27x74,6)	2127.5.5.d.d	E	5	d=25,30,35	5	d=25,30,35	204
	2127.5.6.d.d	E	5	d=25,30,35	6	d=25,30,35	204
	2127.6.6.d.d	E	6	d=25,30,35	6	d=25,30,35	204
	2127.5.7.d.61	E	5	d=25,30,35	7	D=61,7	204
	2127.10.6.1300.d	D	10	Serie 1300	6	d=25,30,35	137
2130 (30,2x80,0)	2129.5.6.d.d	E	5	d=30,35	6	d=30,35	192
	2129.6.6.d.d	E	6	d=30,35	6	d=30,35	192



Horquillas de enganche rápido  
Quick-disconnect pin Yokes

( 1 )

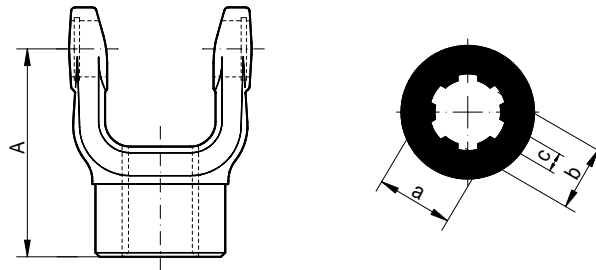


Serie Series	Cruz U/Joint	Referencia Part Number	a x b x c Z-n	A
2224	22,0 x 54,0	2224.0-H	34,9x29,7x8,7 Z-6	90
		2224.1-H	28,5x24,2x7,1 Z-6	
2124	22,0 x 54,8	2124.0-H	34,9x29,7x8,7 Z-6	90
		2124.1-H	28,5x24,2x7,1 Z-6	
2126	23,8 x 61,2	2126.0-H	34,9x29,7x8,7 Z-6	98
		2126.1-H	28,5x24,2x7,1 Z-6	
		2126.2-H	30x26x6 Z-6	91
		2126.03-H	25x21x5 Z-6	
		2126.05-H	28x23x6 Z-6	
2126.10-H	28 x 25 Z-15			
2328	27,0 x 70,0	2328.0-H	34,9x29,7x8,7 Z-6	102
		2328.1-H	28,5x24,2x7,1 Z-6	
		2328.3-H	34,9 x 31,8 Z-21	
2128	27,0 x 74,6	2128.0-H	34,9x29,7x8,7 Z-6	109
		2128.1-H	28,5x24,2x7,1 Z-6	
		2128.3-H	34,9 x 31,8 Z-21	
2228	32,0 x 76,0	2228.0-H	34,9x29,7x8,7 Z-6	116
		2228.3-H	34,9 x 31,8 Z-21	
2130	30,2 x 80,0	2130.0-H	34,9x29,7x8,7 Z-6	113
		2130.3-H	34,9 x 31,8 Z-21	
2230	30,2 x 92,0	2230.0-H	34,9x29,7x8,7 Z-6	118
		2230.3-H	34,9 x 31,8 Z-21	
		2230.4-H	44,4x37,8x11,1 Z-6	
		2230.5-H	45,1 x 40,2 Z-20	
2330	34,0 x 90,0	2330.0-H	34,9x29,7x8,7 Z-6	116
2132	30,2 x 106,5	2132.0-H	34,9x29,7x8,7 Z-6	127
		2132.3-H	34,9 x 31,8 Z-21	
		2132.4-H	44,4x37,8x11,1 Z-6	
		2132.5-H	45,1 x 40,2 Z-20	
2332	34,9 x 94,0	2332.0-H	34,9x29,7x8,7 Z-6	119
2232	34,9 x 106,5	2232.0-H	34,9x29,7x8,7 Z-6	126
		2232.3-H	34,9 x 31,8 Z-21	
		2232.4-H	44,4x37,8x11,1 Z-6	
		2232.5-H	45,1 x 40,2 Z-20	
2234	36,0 x 89,0	2234.0-H	34,9x29,7x8,7 Z-6	121
2136	41,0 x 108,0	2136.0-H	34,9x29,7x8,7 Z-6	128
2236	42,0 x 104,0	2236.0-H	34,9x29,7x8,7 Z-6	131



## Horquillas estriadas lisas Plain splined Yokes

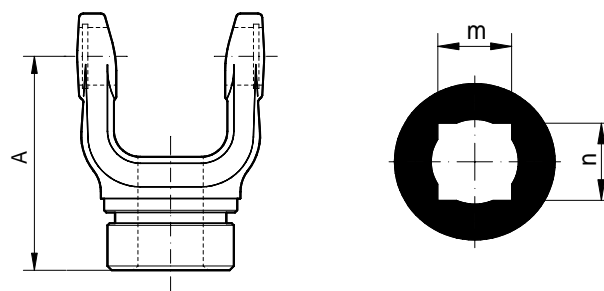
( 2 )



Serie Series	Cruz U/Joint	Referencia Part Number	a x b x c Z-n	A
2122	19,0 x 51,9	2122.2.03-H	25x21x5 Z-6	70
2124	22,0 x 54,8	2123.2.03-H	25x21x5 Z-6	81
		2123.2.05-H	28x23x6 Z-6	
2126	23,8 x 61,2	2125.2.03-H	25x21x5 Z-6	81
		2125.2.05-H	28x23x6 Z-6	
		2125.2.07-H	30x26x6 Z-6	
2128	27,0 x 74,6	2127.2.05-H	28x23x6 Z-6	102
		2127.2.07-H	30x26x6 Z-6	
		2127.2.08-H	34,9x29,7x8,7 Z-6	
2130	30,2 x 80,0	2129.2.08-H	34,9x29,7x8,7 Z-6	96

## Horquillas rectangulares- Rectangular Yokes

( 3 )

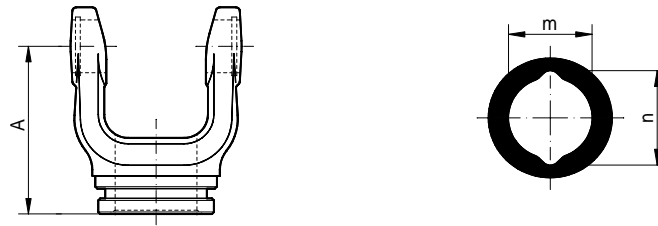


Serie Series	Cruz U/Joint	Referencia Part Number	m x n	A
2128	27,0 x 74,6	2127.3.03-H	28 x 30	102
2130	30,2 x 80,0	2129.3.03-H	28 x 30	96
2132	30,2 x 106,5	2131.3.04-H	32 x 35	123



## Horquillas perfil "limón" "Lemon" profile Yokes

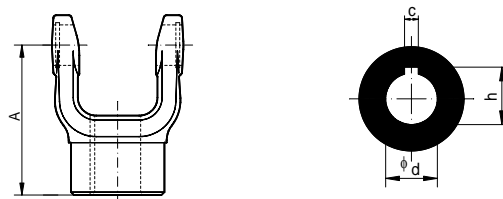
( 4 )



Serie Series	Cruz U/Joint	Referencia Part Number	m x n	A
2124	22,0 x 54,8	2123.4.01-H	23 x 30	66
		2123.4.02-H	30 x 40	
2126	23,8 x 61,2	2125.4.03-H	34 x 40	75
		2125.4.04-H	41 x 48	
2128	27,0 x 74,6	2127.4.03-H	34 x 40	85
		2127.4.04-H	41 x 48	
		2127.4.05-H	40 x 49	
		2127.4.06-H	48 x 58	90
2228	32,0 x 76,0	2227.4.05-H	40 x 49	92
		2227.4.06-H	48 x 58	102
2230	30,2 x 92,0	2229.4.05-H	40 x 49	105
		2229.4.06-H	48 x 58	
2330	34,0 x 90,0	2329.4.05-H	40 x 49	88
		2329.4.06-H	48 x 58	102
2234	36,0 x 89,0	2233.4.05-H	40 x 49	106
		2233.4.06-H	48 x 58	112

## Horquillas con chavetero - Keyway Yokes

( 5 )

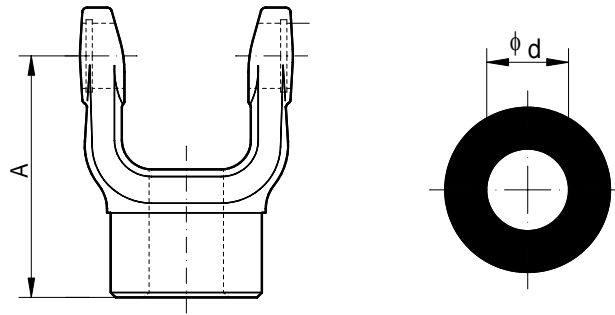


Serie Series	Cruz U/Joint	Referencia Part Number	d	c	A
2122	19,0 x 51,9	2122.5.d-H	20,22,25	6,6,8	70
2124	22,0 x 54,8	2123.5.d-H	22,25,30	6,8,8	81
2126	23,8 x 61,2	2125.5.d-H	22,25,30	6,8,8	81
2128	27,0 x 74,6	2127.5.d-H	25,30,35	8,8,10	102
2130	30,2 x 80,0	2129.5.d-H	30,35	8,10	96
2230	30,2 x 92,0	2229.5.d-H	30,35	8,10	117
2132	30,2 x 106,5	2131.5.d-H	35,40,45	10,12,14	123
2232	34,9 x 106,3	2231.5.d-H	35,40,45	10,12,14	122



## Horquillas cilíndricas Plain bore yokes

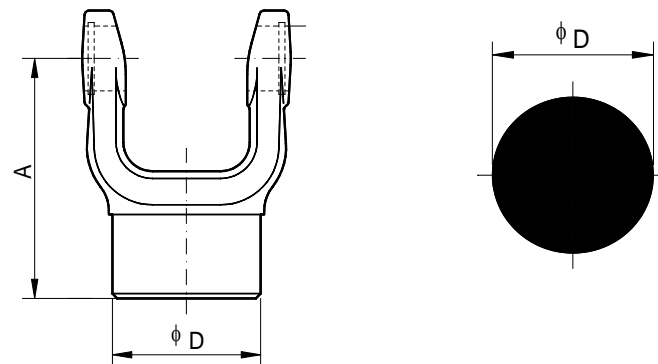
( 6 )



Serie Series	Cruz U/Joint	Referencia Part Number	d	A
2122	19,0 x 51,9	2121.6.d-H	16,18,19	63
		2122.6.d-H	20,22,25	70
2124	22,0 x 54,8	2123.6.d-H	20,22,25	81
2126	23,8 x 61,2	2125.6.d-H	22,25,30	81
2128	27,0 x 74,6	2127.6.d-H	25,30,35	102
2130	30,2 x 80,0	2129.6.d-H	30,35	96
2230	30,2 x 92,0	2229.6.d-H	30,35	117
2132	30,2 x 106,5	2131.6.d-H	35,40,45	123
2232	34,9 x 106,3	2231.6.d-H	35,40,45	123

## Horquillas macizas - Solid base Yokes

( 7 )



Serie Series	Cruz U/Joint	Referencia Part Number	D	A
2122	19,0 x 51,9	2121.7.28-H	28	63
		2122.7.40-H	40	70
2124	22,0 x 54,8	2123.7.46-H	46	81
2126	23,8 x 61,2	2125.7.46-H	46	81
2128	27,0 x 74,6	2127.7.61-H	61,7	102
2130	30,2 x 80,0	2129.7.69-H	69	102
2230	30,2 x 92,0	2229.7.76-H	76	117
2132	30,2 x 106,5	2131.7.76-H	76	123
2232	34,9 x 106,3	2231.7.76-H	76	123



## Horquillas perfil "triangular" "Triangular" profile Yokes

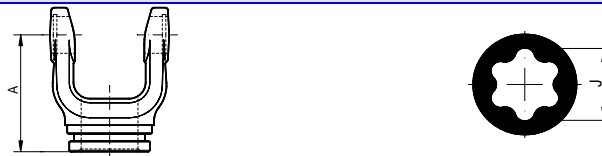
( 16 )



Serie Series	Cruz U/Joint	Referencia Part Number	J	A
2224	22,0 x 54,0	2223.16.01-H	26,5	66
		2223.16.02-H	32,5	
2126	23,8 x 61,2	2125.16.03-H	29,0	75
		2125.16.04-H	36,0	
2328	27,0 x 70,0	2327.16.04-H	36,0	80
		2327.16.06-H	43,5	86
2128	27,0 x 74,6	2127.16.05-H	36	85
		2127.16.06-H	43,5	
2130	30,2 x 80,0	2129.16.07-H	45,0	98
		2129.16.10-H	51,5	
2230	30,2 x 92,0	2229.16.07-H	45	105
		2229.16.09-H	54	
2132	30,2 x 106,5	2131.16.08-H	45	108
		2131.16.09-H	54	
2332	34,9 x 94,0	2331.16.08-H	45	107
		2331.16.09-H	54	
2232	34,9 x 106,3	2231.16.09-H	54	113
		2231.16.11-H	63	
2136	41,0 x 108,0	2135.16.12-H	54	123
		2135.16.11-H	63	

## Horquillas perfil "estrella" - "Star" profile Yokes

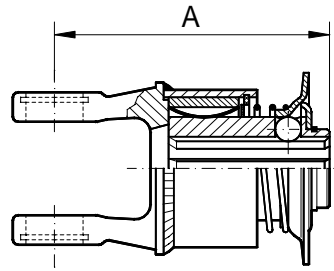
( 17 )



Serie Series	Cruz U/Joint	Referencia Part Number	J	A
2228	32,0 x 76,0	2227.17.01-H	51	92
		2227.17.02-H	61	102
2230	30,2 x 92,0	2229.17.01-H	51	105
		2229.17.02-H	61	
2132	30,2 x 106,5	2131.17.01-H	51	108
		2131.17.02-H	61	
2330	34,0 x 90,0	2329.17.01-H	51	88
		2329.17.02-H	61	102
2232	34,9 x 106,3	2231.17.01-H	51	113
		2231.17.02-H	61	
2234	36,0 x 89,0	2233.17.01-H	51	106
		2233.17.02-H	61	109
2136	41,0 x 108,0	2135.17.01-H	51	123
		2135.17.02-H	61	
2236	42,0 x 104,0	2235.17.01-H	51	130
		2235.17.02-H	61	
		2235.17.03-H	71	



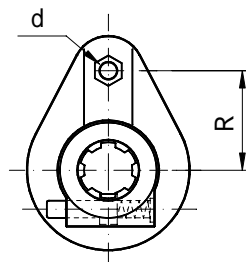
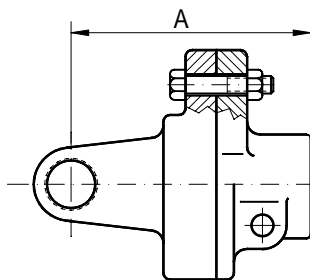
## Ruedas libres Free wheels (over run couplings)



Serie Series	Cruz U/Joint	Estriado Spline	Giro Turn	Referencia Part Number	A
2224	22,0 x 54,0	1 3/8" Z-6	Dcha.-Right	2224.0D-RL	133
			Izda.-Left	2224.0I-RL	
2124	22,0 X 54,8	1 3/8" Z-6	Dcha.-Right	2124.0D-RL	133
			Izda.-Left	2124.0I-RL	
2126	23,8 x 61,2	1 3/8" Z-6	Dcha.-Right	2126.0D-RL	139
			Izda.-Left	2126.0I-RL	
2128	27,0 x 74,6	1 3/8" Z-6	Dcha.-Right	2128.0D-RL	149
2228	32,0 x 76,0	1 3/8" Z-6	Dcha.-Right	2228.0D-RL	157
2130	30,2 x 80,0	1 3/8" Z-6	Dcha.-Right	2130.0D-RL	157
2230	30,2 x 92,0	1 3/8" Z-6	Dcha.-Right	2230.0D-RL	157
			Izda.-Left	2230.0I-RL	
2232	34,9 x 106,3	1 3/8" Z-6	Dcha.-Right	2232.0D-RL	208
2234	36,0 x 88,8	1 3/8" Z-6	Dcha.-Right	2234.0D-RL	190

## Limitadores de par Torque limiters

(I)



Por tornillo "fusible"  
Shear bolt type

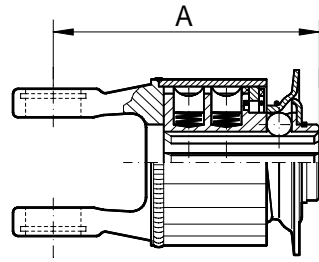
Serie Series	Cruz U/Joint	Estriado Spline	Par (Nm)	R x d	Referencia Part Number	A
2126	23,8 x 61,2	1 3/8" Z-6	780	42xM6	2126.0-01PF	102
			1390	42xM8	2126.0-04PF	
2128	27,0 x 74,6	1 3/8" Z-6	1600	48xM8	2128.0-05PF	126
			2920	56xM10	2128.0-09PF	
2228	32,0 x 76,0	1 3/8" Z-6	2920	56xM10	2228.0-09PF	128
2130	30,2 x 80,0	1 3/8" Z-6	1860	56xM8	2130.0-06PF	128
			2920	56xM10	2130.0-09PF	
2230	30,2 x 92,0	1 3/8" Z-6	2920	56xM10	2230.0-09PF	130
		1 3/4" Z-6			2230.4-09PF	
2232	34,9 x 106,3	1 3/8" Z-6	4180	56xM12	2232.0-12PF	142
		1 3/4" Z-6			2232.4-12PF	150





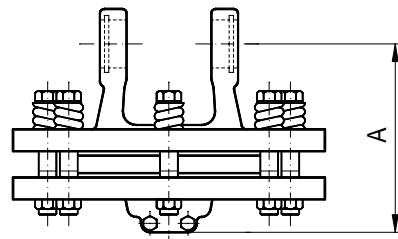
Limitadores de par  
Torque limiters

( II )



Por pestillos radiales  
Radial pins type

Serie Series	Cruz U/Joint	Estriado Spline	Par/Torque (Nm)	Referencia Part Number	A
2224	22,0 x 54,0	1 3/8" Z-6	300 (600 max.)	2224.0-1EP	101
			600 (600 max.)	2224.0-2EP	120
2124	22,0 x 54,8	1 3/8" Z-6	300 (600 max.)	2124.0-1EP	101
			600(600 max.)	2124.0-2EP	120
2126	23,8 x 61,2	1 3/8" Z-6	300 (900 max)	2126.0-1EP	101
			600 (900 max)	2126.0-2EP	126
			900 (900 max)	2126.0-3EP	145
2328	27,0 x 70,0	1 3/8" Z-6	600 (1100 max.)	2328.0-2EP	129
2128	27,0 x 74,6	1 3/8" Z-6	600 (1250 max.)	2128.0-2EP	136
			900 (1250 max)	2128.0-3EP	155
			1200 (1250 max)	2128.0-4EP	174
2228	32,0 x 76,0	1 3/8" Z-6	1500 (1700 max)	2228.0-5EP	204
2130	30,2 x 80,0	1 3/8" Z-6	900 (1500 max)	2130.0-3EP	158
			1200 (1500 max)	2130.0-4EP	178
			1500 (1500 max)	2130.0-5EP	197
2230	30,2 x 92,0	1 3/8" Z-6	900 (1800 max)	2230.0-3EP	166
			1200 (1800 max)	2230.0-4EP	185
			1500 (1800 max)	2230.0-5EP	204



Por discos de fricción  
Friction type

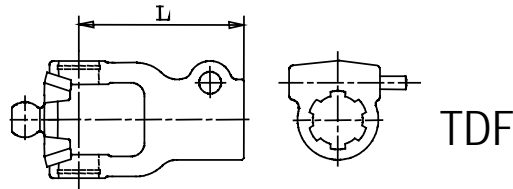
Serie Series	Cruz U/Joint	Estriado Spline	Par/Torque (Nm)	Referencia Part Number	A
2126	23,8 x 61,2	1 3/8" Z-6	400 (900 max.)	2126.0-1ED	136
			750 (900 max.)	2126.0-2ED	
2128	27,0 x 74,6	1 3/8" Z-6	750 (1250 max.)	2128.0-1ED	136
			900 (1250 max.)	2128.0-2ED	
2228	32,0 x 76,0	1 3/8" Z-6	1250 (1700 max.)	2228.0-2ED	159
2130	30,2 x 80,0	1 3/8" Z-6	900 (1500 max.)	2130.0-2ED	147
			1250 (1500 max.)	2130.0-3ED	
2230	30,2 x 92,0	1 3/8" Z-6	900 (1800 max)	2230.0-2ED	175
			1250 (1800 max.)	2230.0-3ED	
2132	30,2 x 106,5	1 3/8" Z-6	1250 (2100 max.)	2132.0-1ED	175
			2000 (2100 max.)	2132.0-3ED	



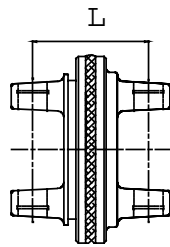
Componentes de Nudos homocinéticos  
Components for Wide-angle Joints



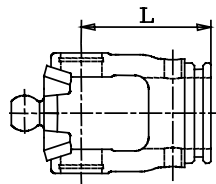
SERIES	2126	2128	2130 - 2230 - 2228	2332 - 2232 - 2234
Cruz U/Joint	23,8x61,2 22,0x77,0	27,0x74,6 23,8x91,0	32,0x76,0 27,0x94,0	36,0x88,8 32,0x106,0



TDF	Referencia	L	Referencia	L	Referencia	L	Referencia	L
1 3/8" Z-6	2126.0NH-H	98	2128.0NH-H	107	2230.0NH-H	112	2232.0NH-H	118
1 3/8" Z-21	2126.3NH-H	98	2128.3NH-H	107	2230.3NH-H	112	2232.3NH-H	118
1 3/4" Z-6					2230.4NH-H	112	2232.4NH-H	118
1 3/4" Z-20					2230.5NH-H	112	2232.5NH-H	118



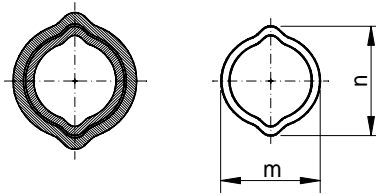
Referencia	L	Referencia	L	Referencia	L	Referencia	L
2125NH-CH	86	2127NH-CH	95	2229NH-CH	104	2231NH-CH	118



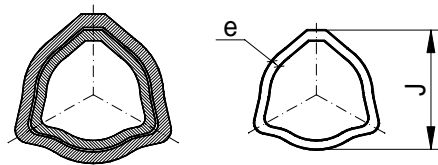
	Referencia	L	Referencia	L	Referencia	L	Referencia	L
	21251603NH-H	91	21271605NH-H	85	21291607NH-H	100	23311608NH-H	108
	21251604NH-H	91	21271606NH-H	85	21291610NH-H	100	23311609NH-H	108
					22291607NH-H	100	22311609NH-H	108
					22291609NH-H	100	22311611NH-H	114
	21250403NH-H	91	21270403NH-H	85	22270405NH-H	92		
	21250404NH-H	91	21270404NH-H	85	22270406NH-H	102		
			21270405NH-H	85				
			21270406NH-H	85				
					22271701NH-H	92	22331701NH-H	106
					22271702NH-H	102	22331702NH-H	106



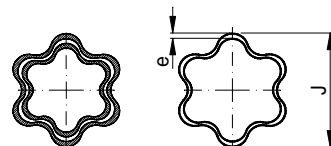
Tubos "limón", "triangular" y "estrella"  
 "lemon", "triangular" and "star" tubes



Serie Series	Referencia Part number	Tubo Tube	m x n
2124	TL-01.M	Interior – Inner	23 x 30
	TL-02.M	Exterior – Outer	30 x 40
2126 , 2328 2128	TL-03.M	Interior – Inner	34 x 40
	TL-04.M	Exterior – Outer	41 x 48
2228 , 2230 2330 , 2234	TL-05.M	Interior – Inner	40 x 49
	TL-06.M	Exterior - Outer	48 x 58



Serie Series	Referencia Part Number	Tubo Tube	J x e
2224	PT-01.M	Interior – Inner	26,5 x 3,5
	PT-02.M	Exterior - Outer	32,5 x 2,5
2126	PT-03.M	Interior – Inner	29,0 x 3,5
	PT-04.M	Exterior - Outer	36,0 x 3,0
2328	PT-04.M	Interior – Inner	36,0 x 3,0
	PT-06.M	Exterior - Outer	43,5 x 3,5
2128	PT-05.M	Interior – Inner	36,0 x 4,5
	PT-06.M	Exterior - Outer	43,5 x 3,5
2130	PT-07.M	Interior – Inner	45,0 x 4,0
	PT-10.M	Exterior - Outer	51,5 x 3,0
2230	PT-07.M	Interior – Inner	45,0 x 4,0
	PT-09.M	Exterior - Outer	54,0 x 4,0
2132 , 2332	PT-08.M	Interior – Inner	45,0 x 5,5
	PT-09.M	Exterior - Outer	54,0 x 4,0
2232	PT-09.M	Interior – Inner	54,0 x 4,0
	PT-11.M	Exterior - Outer	63,0 x 4,0
2136	PT-12.M	Interior – Inner	54,0 x 5,0
	PT-11.M	Exterior - Outer	63,0 x 4,0

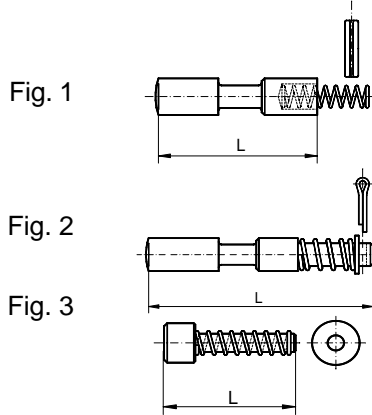


Serie Series	Referencia Part Number	Tubo Tube	J x e
2228, 2230, 2132, 2330 2232, 2234, 2136, 2236	TS-01.M	Interior – Inner	51,0 x ---
	TS-02.M	Ext./Int. – Outer/Inner	61,0 x 4,0
2236	TS-03.M	Exterior – Outer	71,0 x 5,0

Para obtener la referencia completa, sustituir la "M" por la longitud deseada en mm (1000 ó 3000)  
 For obtaining the complete Part No. substitute the "M" by the required length in mm (1000 or 3000)

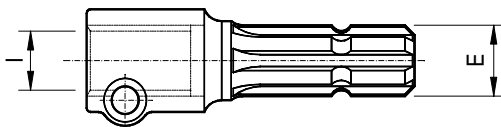


**Pulsadores de enganche**  
**Push pin sets**



Referencia Part Number	Fig.	L
E-3	2	85
E-5	1	54
E-7	3	45
E-8	3	54

**Derivaciones**  
**Adaptors**



Referencia Part Number	I (Hembra) I (Female)	E (Macho) E (Male)
DTF-1.0	1 1/8" Z-6	1 3/8" Z-6
DTF-0.0	1 3/8" Z-6	
DTF-3.0	1 3/8" Z-21	
DTF-4.0	1 3/4" Z-6	

**Ejes estriados**  
**Splined shafts**

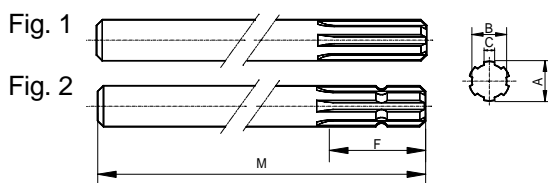
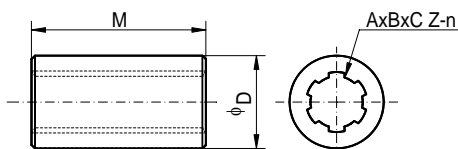


Fig.	Referencia Part No.	M x F	AxBxC Z-n
1	EE-0.200	200x85	34,9x29,7x8,7 Z-6
1	EE-0.400	400x85	"
2	EE-0.200C	200x40	"
2	EE-0.400C	400x40	"
1	EE-03.180	180x140	25x21x5 Z-6
1	EE-03.500	500x90	"
1	EE-07.180	180x140	30x26x6 Z-6

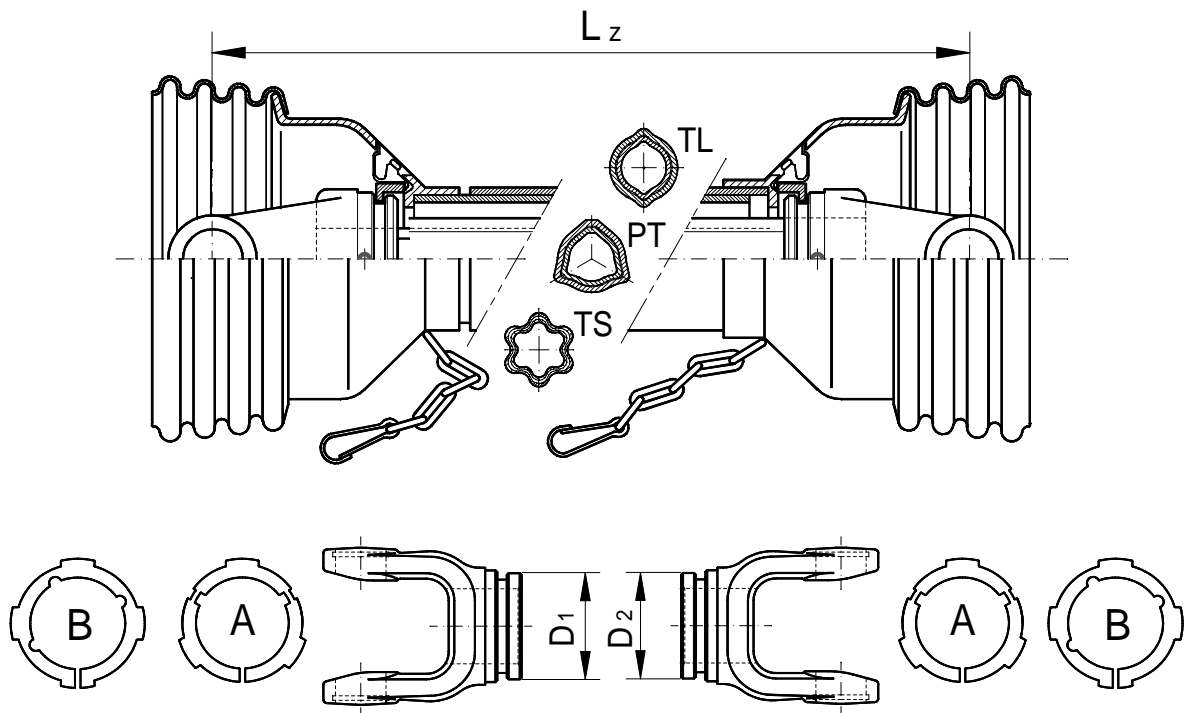
**Manguitos estriados**  
**Splined sleeves**



Referencia Part Number	D x M	AxBxC Z-n
ME-03	35 x 50	25x21x5 Z-6
ME-07	45 x 50	30x26x6 Z-6
ME-00	50 x 100	34,9x29,7x8,7 Z-6



## Accesorios (II) Accessories



Tipo Type	Serie Series	Protector Safety Guard	Juego arillos Bearing Set	FIG.	D1	D2
TL	2124	CEP-1.Lz	PR-01-1	A	47	47
	2126	CEP-2N. Lz	PR-02-2N	A	58	58
	2128	CEP-3.2N. Lz	PR-03-3N	B	70	70
	2228					
	2230					
2234						
PT	2224	CEP-1. Lz	PR-05-1	A	41	47
	2126	CEP-2N. Lz	PR-06-2N	A	47	54
	2328	CEP-3-2N. Lz	PR-07-2N	A	54	61
	2128		PR-08-3N	B	61	70
	2130		PR-09-4N	B	67	76
	2230					
	2132					
	2332					
	2232	CEP-4.1N. Lz	PR-10-4N	B	76	88
	2136					
TS	2228	CEP-3.2N. Lz	PR-03-3N	B	70	70
	2230					
	2132					
	2330	CEP-4.1N. Lz	PR-10-4N	B	76	88
	2232					
	2234					
	2136					
2236		PR-04-4N	B	90	90	

Para obtener la referencia completa sustituir "Lz" por la longitud deseada en mm.  
For obtaining the complete Part No. substitute the "Lz" by the required length in mm.



Serie Series	Cruz U/Joint	Tubos Tubes		Capacidad de carga dinámica * Dynamic load capacity *						
				540 rpm			1000 rpm			
				Potencia Power		Par Torque	Potencia Power		Par Torque	Max.
E x L	J x e	J x e	Kw	Hp	Nm	Kw	Hp	Nm	Nm	
<b>2224</b>	22,0x54,0	26 x 3	33 x 2	12	16	210	18	25	175	320
<b>2126</b>	23,8x61,2	29 x 3	36 x 3	15	21	270	23	31	220	450
<b>2328</b>	27,0x70,0	36 x 3	43 x 3	22	30	390	35	47	330	640
<b>2128</b>	27,0x74,6	36 x 4	43x3	26	35	460	40	54	380	780
<b>2130</b>	30,2x80,0	45 x 4	52 x 3	35	47	620	54	74	520	1050
<b>2230</b>	30,2x92,0	45 x 4	54 x 4	47	64	830	74	101	710	1450
<b>2132</b>	30,2x106,5	45 x 5	54 x 4	55	75	970	87	118	830	1800
<b>2332</b>	34,9x94,0	45 x 5	54 x 4	55	75	970	87	118	830	1800
<b>2232</b>	34,9x106,3	54 x 4	63 x 4	70	95	1240	110	150	1050	2250
<b>2136</b>	41,0x108,0	54 x 5	63 x 4	88	120	1560	140	191	1340	2900
<b>2124</b>	22,0x54,8	23 x 4	30 x 3	12	16	210	18	25	175	320
<b>2126</b>	23,8x61,2	34 x 4	41 x 3	15	21	270	23	31	220	450
<b>2128</b>	27,0x74,6	34 x 4	41 x 3	26	35	460	40	54	380	780
<b>2228</b>	32,0x76,0	39 x 5	48 x 4	39	53	690	61	83	580	1240
<b>2230</b>	30,2x92,0	39 x 5	48 x 4	47	64	830	74	101	710	1450
<b>2234</b>	36,0x89,0	39 x 5	48 x 4	59	81	1050	89	121	850	1750

\* Valores relativos a ángulos por junta de 5° y 1000 horas de vida teórica.  
Values related to 5° joint angles and 1000 hours theoretic life.

Esta tabla se ha realizado en base a la información recibida y contrastada de muchas fuentes , y se han realizado esfuerzos y se continuarán haciendo para verificar y/o mejorar su precisión.

This table has been made on the basis of the information received and contrasted from many sources, and efforts have been made and will continue to be made to verify and/or improve its accuracy.



## CONDICIONES PARA EL FUNCIONAMIENTO CORRECTO DE UNA TRANSMISION CARDAN

- 1.-Los ejes conductor TDF (Toma De Fuerza), conducido (eje de la máquina), y el propio eje de la transmisión deben de estar en el mismo plano.
- 2.-En caso de modificación ó reparación, las horquillas de los extremos deben de permanecer en el mismo plano. Los ejes son diseñados de forma que no permitan otras posiciones que por error pudieran producirse.
- 3.-Los ángulos de las dos articulaciones deben de ser iguales, reduciéndolos en lo posible.
- 4.-Los órganos en giro ó desplazamiento deben ser lubricados con frecuencia. Se recomienda engrasar las cruces cada 8 horas de trabajo y los ejes cada 20 horas. Engrasar siempre después del trabajo (en caliente se facilitará la entrada del lubricante) utilizando grasas de litio.

## CONDITIONS FOR THE CORRECT OPERATION OF A CARDAN DRIVE SHAFT

- 1.-The driving axle PTO (Power Take-Off), driven shaft (shaft of the machine), and the drive shaft itself must be on the same plane.
- 2.-In the case of modification or repair, the yokes of both ends must remain on the same plane. The shafts are so designed that they do not allow other positions which might be produced by mistake.
- 3.-The working angles of both articulations must be equal, reducing them as much as possible.
- 4.-The turning or moving parts must be frequently lubricated. It is recommended that the Universal Joints be greased every 8 hours of work and the shafts every 20 hours. Grease always after working (hot-greasing will make easy the entry of the lubricant) and use lithium grease.

---

Las piezas que aparecen en el presente Catalogo son las consideradas de serie, pudiendo realizar / suministrar, previa oferta, otras piezas de acuerdo a especificaciones del cliente.

The parts appearing in this Catalogue are those considered as being in standard, being possible to produce/supply, prior quotation, others parts according to customers specifications.

---

Los datos reflejados en este Catálogo tienen carácter orientativo y sólo con tal carácter deben ser considerados.

No asumimos la responsabilidad por errores que pudieran aparecer en los datos del presente Catálogo, quedando abierta la posibilidad de modificación de los mencionados datos sin aviso previo.

The data reflected in this Catalogue are for guidance purposes and only in this sense have to be considered.

We assume no liability for errors which may appear in the data of the present Catalogue, remaining open the possibility of being modified the mentioned data without prior notice.



MECÁNICAS DE LA SERNA, S.A.

Cuestionario para transmisiones agrícolas  
Questionnaire for PTO drive shafts

Empresa / Company:	Dirección / Address:	
Departamento / Department:	Tel. :	Fax:
Contacto / Contact:	Email :	
	Fecha / Date :	

Tipo de máquina / Type of machine :

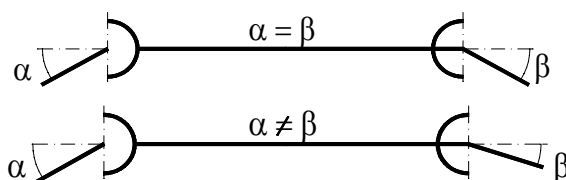
Aplicación / Application :

Capacidad dinámica / Dynamic capacity : \_\_\_\_\_ kW ó / or \_\_\_\_\_ HP

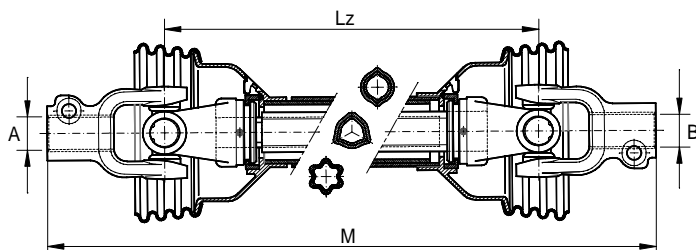
Velocidad / Speed :

Disposición / Arrangement :  $\alpha ; \beta =$  ángulos de inclinación de los nudos / bend angles of joints

$\alpha = \beta =$  \_\_\_\_\_ °  
 $\alpha =$  \_\_\_\_\_ °  
 $\beta =$  \_\_\_\_\_ °



Longitud / Length : Lz min : \_\_\_\_\_ mm  
 Lz max : \_\_\_\_\_ mm  
 Ó / or : M min : \_\_\_\_\_ mm  
 M max : \_\_\_\_\_ mm



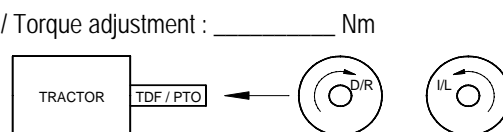
Acoplamientos / Connections:  
 Lado tractor / Tractor side "A" : \_\_\_\_\_  
 Lado máquina / Implement side "B": \_\_\_\_\_

Protección / Safety guards :  No / No  Si / Yes

Embrague de sobrecarga / Overload clutch :  No / No  Si / Yes  De discos / Friction type  
 Por tornillo / shearbolt type  
 Por pestillos / Radial pins type  
 Otros / Other:

Rueda libre / Overrunning :  No / No  Si / Yes

Giro / Rotation:  Derecha / Right  Izquierda / Left



Requerimientos adicionales / Additional requirements :